

LIGHTHOUSE
WORLDWIDE SOLUTIONS

LH4 TEMPERATURE TRANSMITTER



INNOVATION IN TEMPERATURE MEASUREMENT

- Measures temperature
- High quality Pt100 sensor
- Current output
- High accuracy

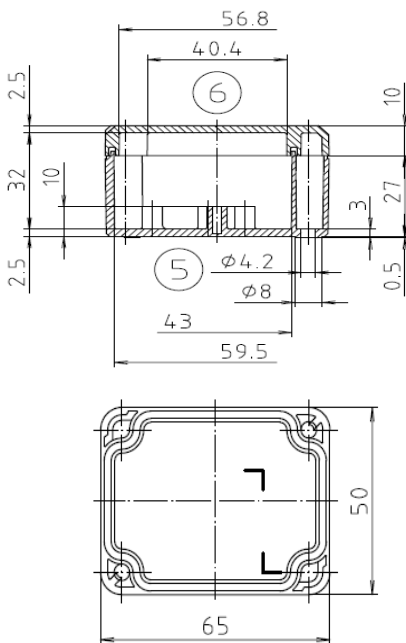
LH4

TEMPERATURE TRANSMITTER

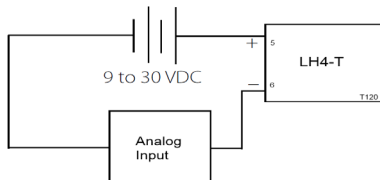
TECHNICAL INFORMATION

The LH4 series is the ideal solution for measuring equipment temperature such as refrigerators, freezers and incubators .

DIMENSIONS



CONNECTION DIAGRAM



General	
Transmitter	2-wire
Supply voltage	5...30 VDC (loop powered)
Current consumption	Transmitter with current output: ± 30 mA
Parameters	Temperature in $^{\circ}\text{C}$
Housing material / IP	ABS / IP67
Weight	Approx. 135 gr
Sensor integrated in device	No
Remote sensor	
Sensor	Pt100 1/3 Din B, 3 wires
Cable	4 meter silicone cable
Sensor material	Inox tube, AISI 316L
Dimension sensor head	$\varnothing 6$ mm x lenght 45 mm
Output	
Number	One analog output
Current	4...20mA
Range	-40 / 60 $^{\circ}\text{C}$
Accuracy	± 0.3 $^{\circ}\text{C}$