

RemoteDP

DIFFERENTIAL PRESSURE SENSOR



The Remote DP Sensor is the ideal solution for highly accurate measurement of low differential pressure in cleanroom environments, hospitals, laboratories and the pharmaceutical industry.

The Remote DP Sensor is suitable for air as well as non-flammable and non-aggressive gases.

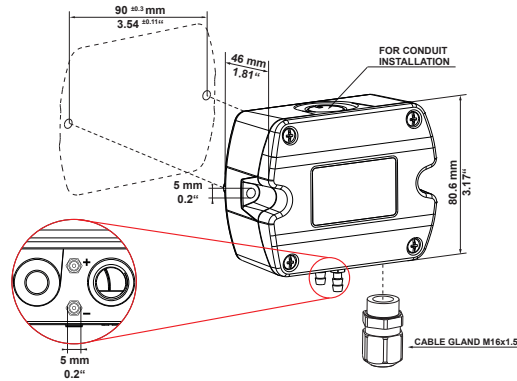
The Remote DP Sensor offers ± 0.5 Pa accuracy over the entire measurement range. The measured data is available on the analogue voltage and current outputs.

The enclosure is IP65/NEMA, protecting the electronics against construction site damage and pollution.

The setup and adjustment can be easily performed with internal DIP-switches and push buttons.

FEATURES

- Smooth Cover and Cleanroom Friendly Enclosure
- Long Term Sensor Stability
- Multi-range measurement
- Easy to Install
- Bayonet Screws for Easy Access $\frac{1}{4}$ Turn Rotation
- IP65/NEMA4 Rating
- High overload limits
- Mounting with closed cover



Pressure fittings Ø 5mm
 + : High pressure
 - : Low pressure

TECHNICAL DATASHEET

RemoteDP Sensor Specifications

Performance Data

LH3-DP-100/100

Measurement principle	piezoresistive, no flow-through
Measurement range	$\pm 25 / \pm 50 / \pm 100$ Pa ($\pm 0.1 / \pm 0.2 / \pm 0.4$ inch WC)
selectable with DIP switches	0...100 Pa (0...0.4 inch WC)
Accuracy at 20 °C (68 °F), typ.	± 0.5 Pa
Response time t_{90}	
Analogue Outputs	50 ms / 500 ms / 2 s / 4 s selectable with DIP switches
Temperature dependency, typ.	0.03 Pa / K
Long-term stability	< 0.5 Pa / year
Overload limits	± 7000 Pa (± 28 inch WC)

Outputs

Analogue outputs	0-5 V or 0-10V
selectable with	and
DIP switches	0-20 mA or 4-20 mA (3-wire)

General

Power supply	15 - 35 V DC or 24V AC $\pm 20\%$
Current consumption, typ. at 0 Pa / 24 V DC	23 mA
Electrical connection	Spring terminals max. 1.5 mm ² (AWG 16)
Cable gland	M16x1.5
Electromagnetic compatibility	EN61326-1, EN61326-2-3
Housing material	Polycarbonate, UL94V-0
Protection class	Enclosure IP65 / NEMA4
Working range humidity	Relative Humidity 0...95 % RH (non-condensing)
Temperature ranges	Operation: -20 ... +60 °C (-4...140°F) Storage: -40 ... +70 °C (-40...158°F)



Lighthouse Worldwide Solutions reserves the right to change specifications without notice.